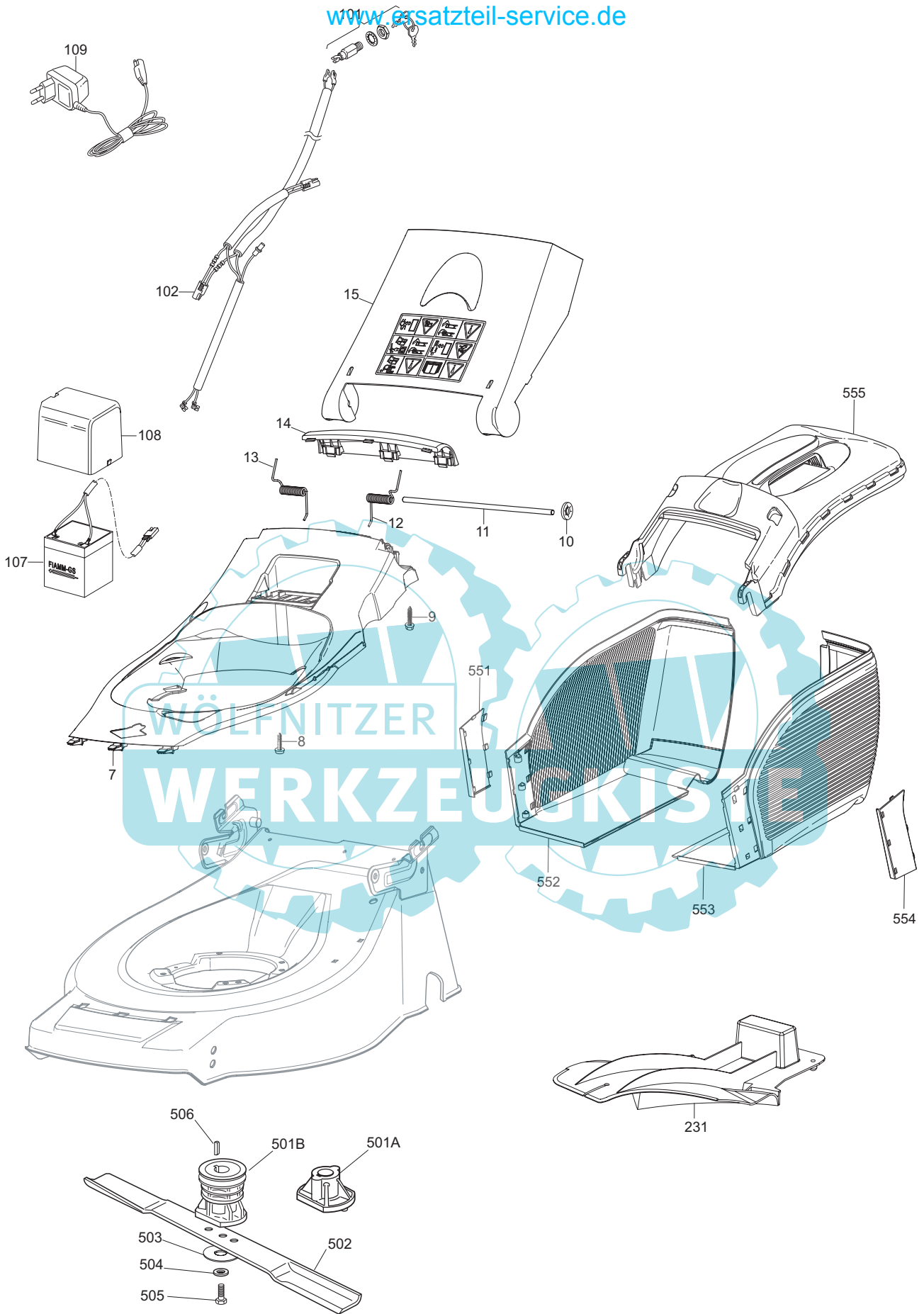


B105

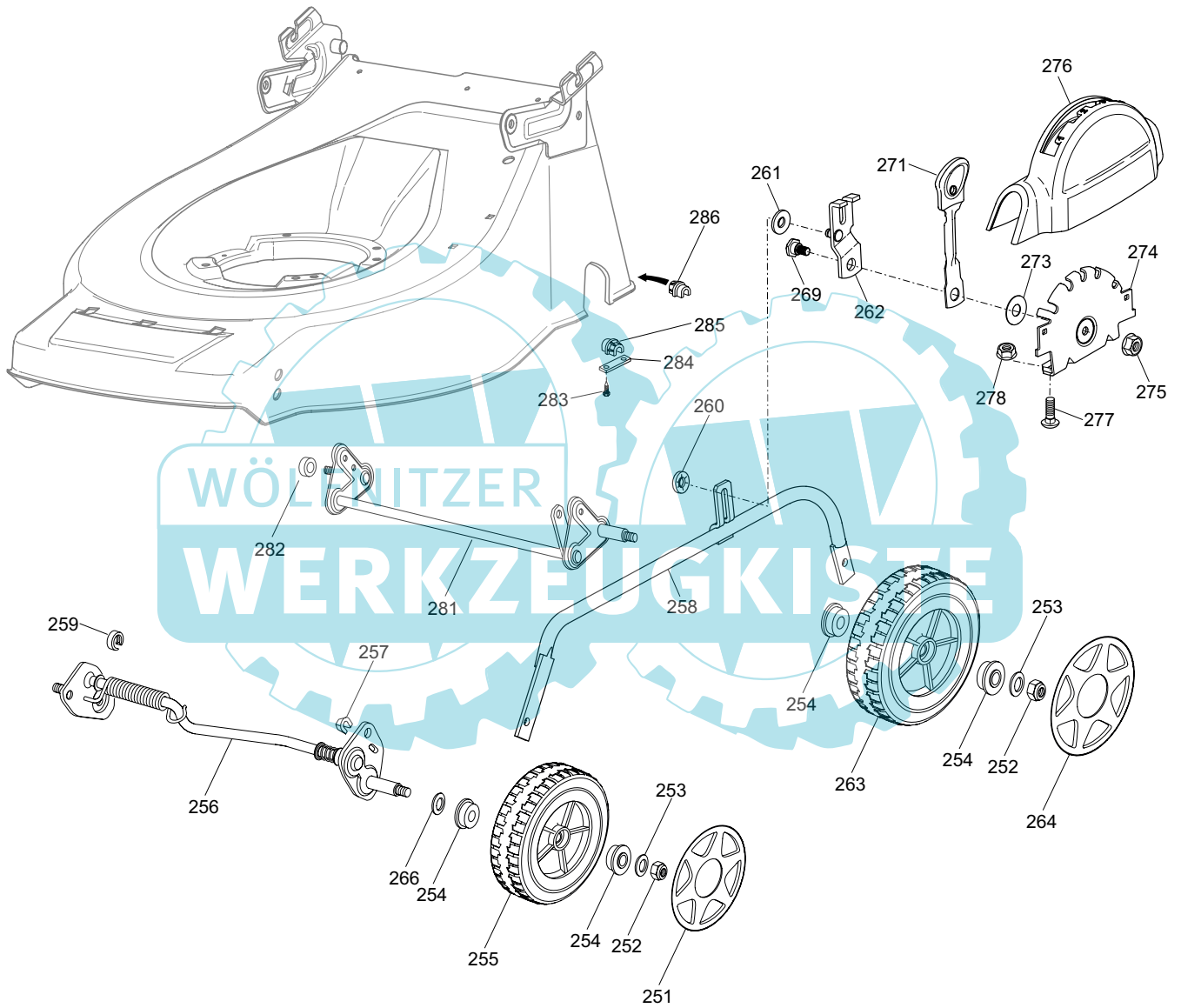
| Ausgabe<br>Issue |                 | Bild Nr<br>Picture No |            | VARIOLUX 48 BC-<br>48 BCA- 48 BCAE |                            | VARIOLUX 48 BC-<br>48 BCA- 48 BCAE |             | Seite<br>Page      |
|------------------|-----------------|-----------------------|------------|------------------------------------|----------------------------|------------------------------------|-------------|--------------------|
| 2006- 1          |                 | B105                  |            | CHASSIE<br>HOLM                    |                            | CHASSIS<br>HANDLE                  |             | 38                 |
| Pos.<br>Fig.     | Anzahl/Quantity |                       |            | Artikel Nr.<br>Part No             | Bezeichnung                | Description                        | Satz<br>Kit | Anmerkung<br>Notes |
|                  | 48<br>BC        | 48<br>BCA             | 48<br>BCAE |                                    |                            |                                    |             |                    |
| 1                | 1               | 1                     | 1          | 1136-1753-01                       | Gehäuse.....               | Deck.....                          |             |                    |
| 2                | 3               | 3                     | 3          | 1136-0615-01                       | Schraube .....             | Screw.....                         |             |                    |
| 3                | 1               | 1                     | 1          | 1136-1329-01                       | Schutz .....               | Protection .....                   |             |                    |
| 4                | 4               | 4                     | 4          | 9847-8119-16                       | Schraube .....             | Screw.....                         |             |                    |
| 5                |                 | 2                     | 2          | 1136-0682-01                       | Platte .....               | Plate.....                         |             |                    |
| 6                | 1               | 1                     | 1          | 1136-0665-01                       | Gummieinsatz.....          | Rubber insert .....                |             |                    |
| 16               | 2               | 2                     | 2          | 1136-0061-01                       | Propfen.....               | Cap.....                           |             |                    |
| 17               | 1               | 1                     | 1          | 1136-1761-01                       | Holm- Unterteil .....      | Handle- lower .....                |             |                    |
| 18               | 1               | 1                     | 1          | 1136-1765-01                       | Holmrohr .....             | Handle tube .....                  |             |                    |
| 19               | 1               | 1                     | 1          | 1136-1763-01                       | Holm- Oberteil .....       | Handle- upper .....                |             |                    |
| 20               | 1               | 1                     | 1          | 1136-1716-01                       | Handgriff .....            | Handgrip .....                     |             |                    |
| 21               | 2               | 2                     | 2          | 1136-1733-01                       | Bolzen.....                | Pin.....                           |             |                    |
| 22               | 2               | 2                     | 2          | 9675-0012-02                       | Verriegelungsscheibe ..... | Locking washer .....               |             |                    |
| 23               | 4               | 4                     | 4          | 1136-1755-01                       | Hebel .....                | Handle lever .....                 |             |                    |
| 24               | 4               | 4                     | 4          | 1136-1738-01                       | Scheibe.....               | Washer.....                        |             |                    |
| 25               | 4               | 4                     | 4          | 1136-0309-01                       | Scheibe.....               | Washer.....                        |             |                    |
| 26               | 4               | 4                     | 4          | 1136-1721-01                       | Schloßrad .....            | Locking knob .....                 |             |                    |
| 27               | 4               | 4                     | 4          | 9799-0831-02                       | Mutter .....               | Nut.....                           |             |                    |
| 28               | 2               | 2                     | 2          | 1136-1746-01                       | Gummistopfen.....          | Cap.....                           |             |                    |
| 29               | 2               | 2                     | 2          | 1136-1709-01                       | Ringmutter .....           | Ring nut .....                     |             |                    |
| 30               | 2               | 2                     | 2          | 1136-1708-01                       | Griff .....                | Knob.....                          |             |                    |
| X 31             | 2               | 2                     | 2          | 1136-1982-01                       | Schraube .....             | Screw.....                         |             |                    |
| 32               | 1               | 1                     | 1          | 1136-1720-01                       | Griff- untere .....        | Knob- lower .....                  |             |                    |
| 33               | 1               | 1                     | 1          | 1136-1719-01                       | Griff- obere .....         | Knob- upper .....                  |             |                    |
| 34               | 1               | 1                     | 1          | 1136-1762-01                       | Holmrohr .....             | Handle tube .....                  |             |                    |
| 35               |                 | 3                     | 2          | 9997-0830-16                       | Schraube .....             | Screw.....                         | L = 30 mm   |                    |
| 36               |                 | 3                     | 2          | 9739-0831-22                       | Mutter .....               | Nut.....                           |             |                    |
| 37               | 3               |                       |            | 9997-0830-16                       | Schraube .....             | Screw.....                         | L = 30 mm   |                    |
| 37               |                 | 1                     |            | 9997-0860-16                       | Schraube .....             | Screw.....                         | L = 60 mm   |                    |
| 38               | 2               |                       | 1          | 9699-0090-02                       | Scheibe.....               | Flat washer.....                   |             |                    |
| 39               | 3               |                       |            | 9739-0831-22                       | Mutter .....               | Nut.....                           |             |                    |
| 39               |                 |                       | 1          | 9747-0831-02                       | Mutter.....                | Lock nut.....                      |             |                    |
| 40               | 1               | 1                     | 2          | 1136-1722-01                       | Seilführer .....           | Guide spring .....                 |             |                    |
| 41               | 1               | 1                     |            | 1136-1749-01                       | Motorbremsdraht .....      | Engine brake cable .....           |             |                    |
| 41               |                 |                       | 1          | 1136-1750-01                       | Motorbremsdraht .....      | Engine brake cable .....           |             |                    |
| 42               | 1               | 1                     | 1          | 1136-1343-01                       | Seilöse.....               | Rope guide.....                    |             |                    |
| 43               | 1               | 1                     | 1          | 9747-0531-02                       | Mutter .....               | Nut.....                           |             |                    |
| 45               | 1               | 1                     | 1          | 9699-0028-02                       | Scheibe.....               | Flat washer.....                   |             |                    |
| 46               | 1               | 1                     | 1          | 1136-1680-01                       | Schraube .....             | Screw.....                         |             |                    |
| 47               | 1               | 1                     | 1          | 1136-1747-01                       | Deckel.....                | Cap.....                           |             |                    |
| X 51             | 6               | 6                     | 6          | 1136-1982-01                       | Schraube .....             | Screw.....                         |             |                    |
| 52               | 1               | 1                     | 1          | 1136-1710-01                       | Schutz .....               | Protection .....                   |             |                    |
| 53               | 1               | 1                     | 1          | 1136-1743-01                       | Stütz .....                | Support.....                       |             |                    |
| 54               | 1               | 2                     | 2          | 1136-1744-01                       | Stütz .....                | Support.....                       |             |                    |
| 55               | 2               | 4                     | 4          | 9836-9116-12                       | Schraube .....             | Screw.....                         |             |                    |
| 56               | 1               | 1                     | 1          | 1136-1717-01                       | Regulierbügel .....        | Control lever .....                |             |                    |
| 57               | 1               | 1                     | 1          | 1136-1712-01                       | Schutz .....               | Protection .....                   |             |                    |
| 58               | 2               | 2                     | 2          | 1136-1692-01                       | Deckel.....                | Cap.....                           |             |                    |
| 59               | 2               | 2                     | 2          | 1136-1734-01                       | Deckel.....                | Cover plate.....                   |             |                    |
| 60               |                 | 1                     | 1          | 1136-1718-01                       | Regulierbügel .....        | Control lever .....                |             |                    |
| 63               | 1               | 1                     | 1          | 1136-1742-01                       | Stütz .....                | Support.....                       |             |                    |
| 103              | 1               | 1                     |            | 1136-1713-01                       | Schutz .....               | Protection .....                   |             |                    |
| 103              |                 |                       | 1          | 1136-1715-01                       | Schutz .....               | Protection .....                   |             |                    |
| 104              | 1               | 1                     | 1          | 1136-1711-01                       | Schutz .....               | Protection .....                   |             |                    |
| 105              | 2               | 2                     | 2          | 1136-1692-01                       | Deckel.....                | Cap.....                           |             |                    |
| X 106            | 4               | 4                     | 4          | 1136-1982-01                       | Schraube .....             | Screw.....                         |             |                    |
| 111              | 1               | 1                     | 1          | 1136-1768-01                       | Schraubensatz .....        | Screw set .....                    |             |                    |



B106



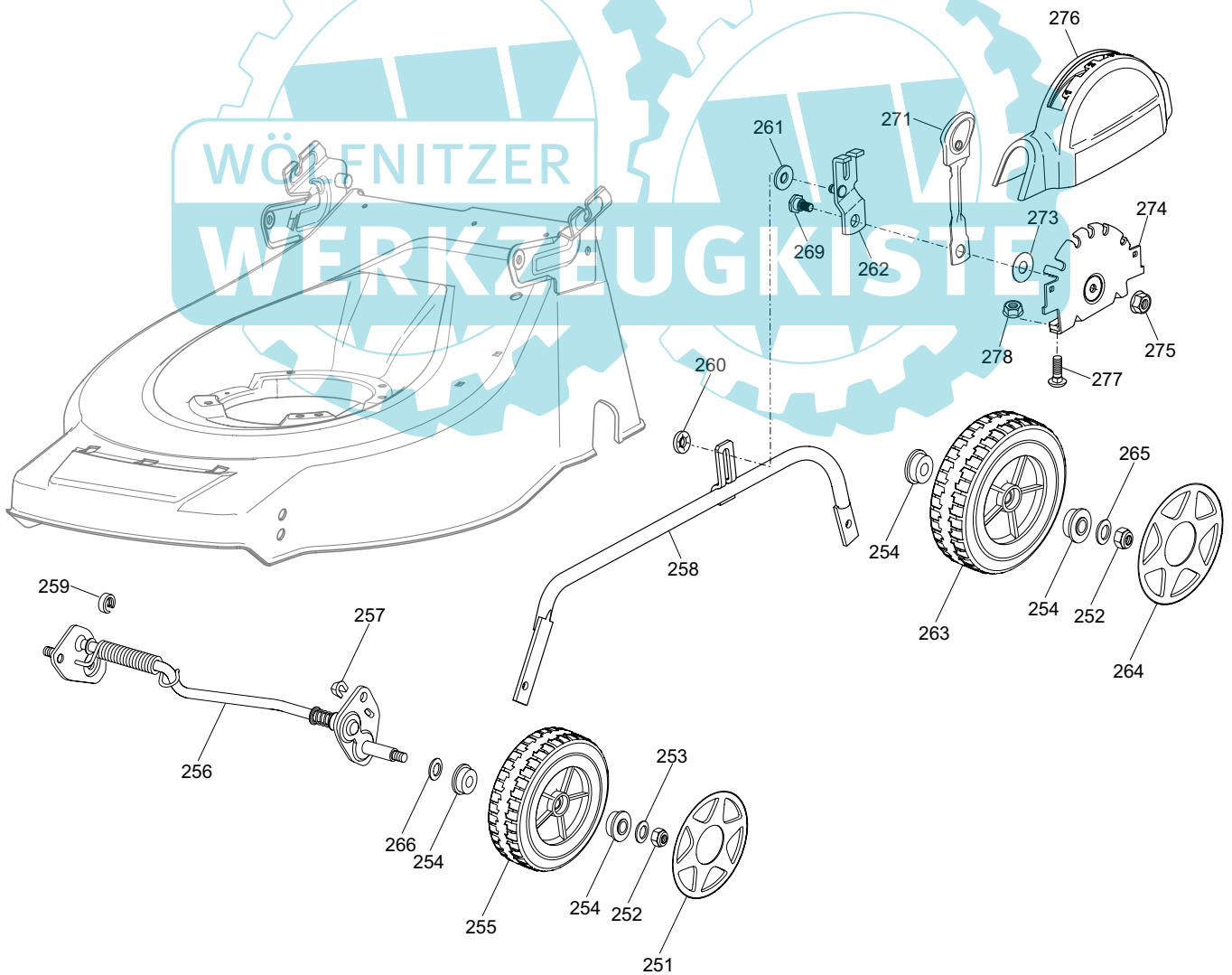
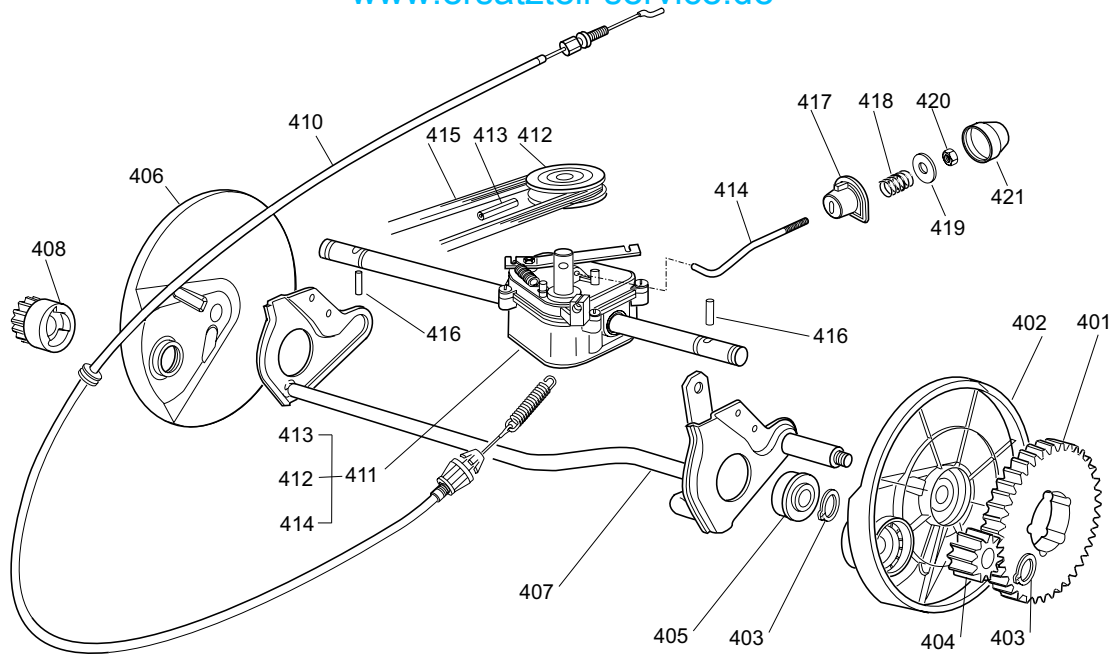
| Ausgabe<br>Issue<br>2006- 1 |                 | Bild Nr<br>Picture No<br>B106 |            | VARIOLUX 48 BC-<br>48 BCA- 48 BCAE<br>MESSER<br>GRASFANGKORB | VARIOLUX 48 BC-<br>48 BCA- 48 BCAE<br>BLADE<br>GRASS BOX | Seite<br>Page<br>40      |             |                    |
|-----------------------------|-----------------|-------------------------------|------------|--|--|--------------------------|-------------|--------------------|
| Pos.<br>Fig.                | Anzahl/Quantity |                               |            | Artikel Nr.<br>Part No                                       | Bezeichnung  | Description              | Satz<br>Kit | Anmerkung<br>Notes |
|                             | 48<br>BC        | 48<br>BCA                     | 48<br>BCAE |  |  |                          |             |                    |
| 7                           | 1               | 1                             |            | 1136-1694-01   | Haube .....  | Cover .....              |             |                    |
| 7                           |                 |                               | 1          | 1136-1695-01   | Haube .....  | Cover .....              |             |                    |
| 8                           | 2               | 2                             | 2          | 1117-3226-01   | Schraube .....   | Screw .....              |             |                    |
| 9                           | 3               | 3                             | 3          | 1136-1458-01   | Schraube .....   | Screw .....              |             |                    |
| 10                          | 2               | 2                             | 2          | 9675-0012-02   | Verriegelungsscheibe .....                               | Locking washer .....     |             |                    |
| 11                          | 1               | 1                             | 1          | 1136-1731-01   | Stange .....   | Rod .....                |             |                    |
| 12                          | 1               | 1                             | 1          | 1136-1723-01   | Feder- links .....                                       | Spring- LH .....         |             |                    |
| 13                          | 1               | 1                             | 1          | 1136-1724-01   | Feder- rechts .....                                      | Spring- RH .....         |             |                    |
| 14                          | 1               | 1                             | 1          | 1136-1698-01   | Halter .....   | Support .....            |             |                    |
| 15                          | 1               | 1                             | 1          | 1136-1736-01   | Klappe .....   | Rear flap .....          |             |                    |
| 101                         |                 |                               | 1          | 1136-0627-01   | Schalter .....   | Switch .....             |             |                    |
| 102                         |                 |                               | 1          | 1136-1684-01   | Kabelbündel .....  | Wire harness .....       |             |                    |
| 107                         |                 |                               | 1          | 1136-1320-01   | Batterie .....   | Battery .....            |             |                    |
| 108                         |                 |                               | 1          | 1136-1334-01   | Deckel .....   | Cover .....              |             |                    |
| 109                         |                 |                               | 1          | 1136-1321-01   | Ladegerät .....  | Charger .....            |             |                    |
| 231                         | 1               | 1                             | 1          | 1136-1338-01   | Deflektor .....  | Deflector .....          |             |                    |
| 501 A                       | 1               |                               |            | 1111-9743-01   | Nabe .....   | Hub .....                |             |                    |
| 501 B                       |                 | 1                             | 1          | 1111-9744-01   | Nabe m. Scheibe .....                                    | Hub w. pulley .....      |             |                    |
| 502                         | 1               | 1                             | 1          | 1111-9741-01   | Messer .....   | Blade .....              |             |                    |
| 503                         | 1               | 1                             | 1          | 1136-0083-01   | Federscheibe .....                                       | Elastic washer .....     |             |                    |
| 504                         | 1               | 1                             | 1          | 1136-0015-01   | Scheibe .....  | Washer .....             |             |                    |
| 505                         | 1               | 1                             | 1          | 9987-5251-12   | Schraube .....   | Screw .....              |             |                    |
| 506                         | 1               | 1                             | 1          | 9600-0014-00   | Keil .....   | Key .....                |             |                    |
| 551                         | 1               | 1                             | 1          | 1136-1729-01   | Profil- rechts .....                                     | Profile- RH .....        |             |                    |
| 552                         | 1               | 1                             | 1          | 1136-1727-01   | Graskorb- rechts .....                                   | Grassbox lower- RH ..... |             |                    |
| 553                         | 1               | 1                             | 1          | 1136-1728-01   | Graskorb- links .....                                    | Grassbox lower- LH ..... |             |                    |
| 554                         | 1               | 1                             | 1          | 1136-1730-01   | Profil- links .....                                      | Profile- LH .....        |             |                    |
| 555                         | 1               | 1                             | 1          | 1136-1726-01   | Graskorb- Oberteil .....                                 | Grassbox- upper .....    |             |                    |



B107



| Ausgabe<br>Issue |                 | Bild Nr<br>Picture No |  | VARIOLUX 48 BC<br>RADAUFHÄNGUNG |                            | VARIOLUX 48 BC<br>WHEEL SUSPENSION |             | Seite<br>Page |                    |
|------------------|-----------------|-----------------------|--|---------------------------------|----------------------------|------------------------------------|-------------|---------------|--------------------|
| 2006- 1          |                 | B107                  |  |                                 |                            |                                    |             | 42            |                    |
| Pos.<br>Fig.     | Anzahl/Quantity |                       |  |                                 | Artikel Nr.<br>Part No     | Bezeichnung                        | Description | Satz<br>Kit   | Anmerkung<br>Notes |
|                  |                 |                       |  |                                 |                            |                                    |             |               |                    |
| 251              | 2               |                       |  | 1136-1701-01                    | Radkappe- grau .....       | Hub cap- grey .....                |             |               |                    |
| 252              | 4               |                       |  | 9747-0831-02                    | Mutter .....               | Lock nut .....                     |             |               |                    |
| 253              | 4               |                       |  | 9699-0090-02                    | Scheibe .....              | Flat washer .....                  |             |               |                    |
| 254              | 8               |                       |  | 1136-0655-01                    | Kugellager .....           | Ball bearing .....                 |             |               |                    |
| 255              | 2               |                       |  | 1136-1520-01                    | Rad .....                  | Wheel .....                        |             |               |                    |
| 256              | 1               |                       |  | 1136-1357-01                    | Radachse- vorne .....      | Wheel axle- front .....            |             |               |                    |
| 257              | 2               |                       |  | 1136-0009-01                    | Schließplatte .....        | Lock plate .....                   |             |               |                    |
| 258              | 1               |                       |  | 1136-1759-01                    | Höhenverstellstange .....  | Height adjust rod .....            |             |               |                    |
| 259              | 1               |                       |  | 1136-0658-01                    | Distanzring .....          | Spacer .....                       |             |               |                    |
| 260              | 1               |                       |  | 9675-0009-02                    | Verriegelungsscheibe ..... | Starlock .....                     |             |               |                    |
| 261              | 1               |                       |  | 1136-0006-01                    | Federscheibe .....         | Elastic washer .....               |             |               |                    |
| 262              | 1               |                       |  | 1136-1757-01                    | Halter .....               | Attachment .....                   |             |               |                    |
| 263              | 2               |                       |  | 1136-0772-01                    | Rad .....                  | Wheel .....                        |             |               |                    |
| 264              | 2               |                       |  | 1136-1702-01                    | Radkappe- grau .....       | Hub cap- grey .....                |             |               |                    |
| 266              | 4               |                       |  | 1136-0609-01                    | Elastische Scheibe .....   | Elastic washer .....               |             |               |                    |
| 269              | 1               |                       |  | 1136-1732-01                    | Schulterschraube .....     | Shoulder bolt .....                |             |               |                    |
| 271              | 1               |                       |  | 1136-1756-01                    | Höhenverstellhebel .....   | Height adjust lever .....          |             |               |                    |
| 273              | 1               |                       |  | 1136-0089-01                    | Scheibe .....              | Washer .....                       |             |               |                    |
| 274              | 1               |                       |  | 1136-1740-01                    | Sektor .....               | Height adjust sector .....         |             |               |                    |
| 275              | 1               |                       |  | 9739-0831-22                    | Mutter .....               | Nut .....                          |             |               |                    |
| 276              | 1               |                       |  | 1136-1693-01                    | Deckel .....               | Cover .....                        |             |               |                    |
| 277              | 2               |                       |  | 9898-0616-16                    | Schraube .....             | Screw .....                        |             |               |                    |
| 278              | 2               |                       |  | 9739-0631-22                    | Mutter .....               | Nut .....                          |             |               |                    |
| 281              | 1               |                       |  | 1136-0729-01                    | Hinterradachse .....       | Rear wheel axle .....              |             |               |                    |
| 282              | 1               |                       |  | 1136-0657-01                    | Distanzring .....          | Spacer .....                       |             |               |                    |
| 283              | 4               |                       |  | 9847-8119-16                    | Schraube .....             | Screw .....                        |             |               |                    |
| 284              | 2               |                       |  | 1136-0681-01                    | Platte .....               | Plate .....                        |             |               |                    |
| 285              | 1               |                       |  | 1136-0636-01                    | Buchse- links .....        | Bush- LH .....                     |             |               |                    |
| 286              | 1               |                       |  | 1136-0635-01                    | Buchse- rechts .....       | Bush- RH .....                     |             |               |                    |



B103





| Ausgabe<br>Issue<br>2006- 1 |                 | Bild Nr<br>Picture No<br>B103 |  | VARIOLUX 48 BCA-<br>48 BCAE<br>RADAUFHÄNGUNG<br>GETRIEBE |                            | VARIOLUX 48 BCA-<br>48 BCAE<br>WHEEL SUSPENSION<br>TRANSMISSION |             | Seite<br>Page<br>44 |  |
|-----------------------------|-----------------|-------------------------------|--|--|----------------------------|---|-------------|---------------------|--|
| Pos.<br>Fig.                | Anzahl/Quantity |                               |  | Artikel Nr.<br>Part No                                   | Bezeichnung                | Description   | Satz<br>Kit | Anmerkung<br>Notes  |  |
|                             | 48<br>BCA       | 48<br>BCAE                    |  |  |                            |   |             |                     |  |
| 251                         | 2               | 2                             |  | 1136-1701-01   | Radkappe- grau .....       | Hub cap- grey .....   |             |                     |  |
| 252                         | 4               | 4                             |  | 9747-0831-02   | Mutter .....               | Lock nut .....  |             |                     |  |
| 253                         | 2               | 2                             |  | 9699-0090-02   | Scheibe .....              | Flat washer .....   |             |                     |  |
| 254                         | 8               | 8                             |  | 1136-0655-01   | Kugellager .....           | Ball bearing .....  |             |                     |  |
| 255                         | 2               | 2                             |  | 1136-1520-01   | Rad .....                  | Wheel .....   |             |                     |  |
| 256                         | 1               | 1                             |  | 1136-1357-01   | Radachse- vorne .....      | Wheel axle- front .....   |             |                     |  |
| 257                         | 2               | 2                             |  | 1136-0009-01   | Schließplatte .....        | Lock plate .....  |             |                     |  |
| 258                         | 1               | 1                             |  | 1136-1759-01   | Höhenverstellstange .....  | Height adjust rod .....   |             |                     |  |
| 259                         | 1               | 1                             |  | 1136-0658-01   | Distanzring .....          | Spacer .....  |             |                     |  |
| 260                         | 1               | 1                             |  | 9675-0009-02   | Verriegelungsscheibe ..... | Starlock .....  |             |                     |  |
| 261                         | 1               | 1                             |  | 1136-0006-01   | Federscheibe .....         | Elastic washer .....  |             |                     |  |
| 262                         | 1               | 1                             |  | 1136-1757-01   | Halter .....               | Attachment .....  |             |                     |  |
| 263                         | 2               | 2                             |  | 1136-0772-01   | Rad .....                  | Wheel .....   |             |                     |  |
| 264                         | 2               | 2                             |  | 1136-1702-01   | Radkappe- grau .....       | Hub cap- grey .....   |             |                     |  |
| 265                         | 2               | 2                             |  | 1136-0006-01   | Federscheibe .....         | Elastic washer .....  |             |                     |  |
| 266                         | 2               | 2                             |  | 1136-0609-01   | Elastische Scheibe .....   | Elastic washer .....  |             |                     |  |
| 269                         | 1               | 1                             |  | 1136-1732-01   | Schulterschraube .....     | Shoulder bolt .....   |             |                     |  |
| 271                         | 1               | 1                             |  | 1136-1756-01   | Höhenverstellhebel .....   | Height adjust lever .....                                       |             |                     |  |
| 273                         | 1               | 1                             |  | 1136-0089-01   | Scheibe .....              | Washer .....  |             |                     |  |
| 274                         | 1               | 1                             |  | 1136-1740-01   | Sektor .....               | Height adjust sector .....                                      |             |                     |  |
| 275                         | 1               | 1                             |  | 9739-0831-22   | Mutter .....               | Nut .....   |             |                     |  |
| 276                         | 1               | 1                             |  | 1136-1693-01   | Deckel .....               | Cover .....   |             |                     |  |
| 277                         | 2               | 2                             |  | 9898-0616-16   | Schraube .....             | Screw .....   |             |                     |  |
| 278                         | 2               | 2                             |  | 9739-0631-22   | Mutter .....               | Nut .....   |             |                     |  |
| 401                         | 2               | 2                             |  | 1136-0653-01   | Kranz .....                | Ring gear .....   |             |                     |  |
| 402                         | 1               | 1                             |  | 1136-0690-01   | Radschutz- links .....     | Wheel protection- LH .....                                      |             |                     |  |
| 403                         | 4               | 4                             |  | 9650-0012-04   | Seegersicherung .....      | Circlip .....   |             |                     |  |
| 404                         | 1               | 1                             |  | 1136-0685-01   | Ritzel- links .....        | Pinion- LH .....  |             |                     |  |
| 405                         | 2               | 2                             |  | 1136-0632-01   | Lager .....                | Bearing .....   |             |                     |  |
| 406                         | 1               | 1                             |  | 1136-0689-01   | Radschutz- rechts .....    | Wheel protection- RH .....                                      |             |                     |  |
| 407                         | 1               | 1                             |  | 1136-0713-01   | Hinterradachse .....       | Rear wheel axle .....   |             |                     |  |
| 408                         | 1               | 1                             |  | 1136-0684-01   | Ritzel- rechts .....       | Pinion- RH .....  |             |                     |  |
| 410                         | 1               | 1                             |  | 1136-1748-01   | Kupplungsdraht .....       | Clutch cable .....  |             |                     |  |
| 411                         | 1               | 1                             |  | 1136-1456-01   | Getriebe Kpl (schw) .....  | Gearbox assy (black) .....                                      |             |                     |  |
| 412                         | 1               | 1                             |  | 1136-0692-01   | Riemenscheibe .....        | Pulley .....  |             |                     |  |
| 413                         | 1               | 1                             |  | 1136-0612-01   | Stift .....                | Pin .....   |             |                     |  |
| 414                         | 1               | 1                             |  | 1136-1454-01   | Verstellstange .....       | Adjustment rod .....  |             |                     |  |
| 415                         | 1               | 1                             |  | 1111-9745-01   | Riemen .....               | Belt .....  |             |                     |  |
| 416                         | 2               | 2                             |  | 1136-0697-01   | Stift .....                | Pin .....   |             |                     |  |
| 417                         | 1               | 1                             |  | 1136-0638-01   | Buchse .....               | Bush .....  |             |                     |  |
| 418                         | 1               | 1                             |  | 1136-0668-01   | Feder .....                | Spring .....  |             |                     |  |
| 419                         | 1               | 1                             |  | 1136-0091-01   | Scheibe .....              | Washer .....  |             |                     |  |
| 420                         | 1               | 1                             |  | 9747-0631-02   | Mutter .....               | Lock nut .....  |             |                     |  |
| 421                         | 1               | 1                             |  | 1136-0081-01   | Nabenkapsel .....          | Hub cap .....   |             |                     |  |

X